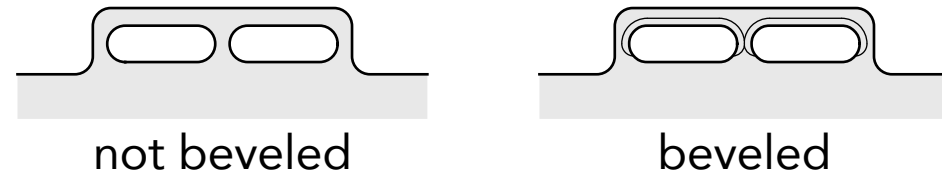
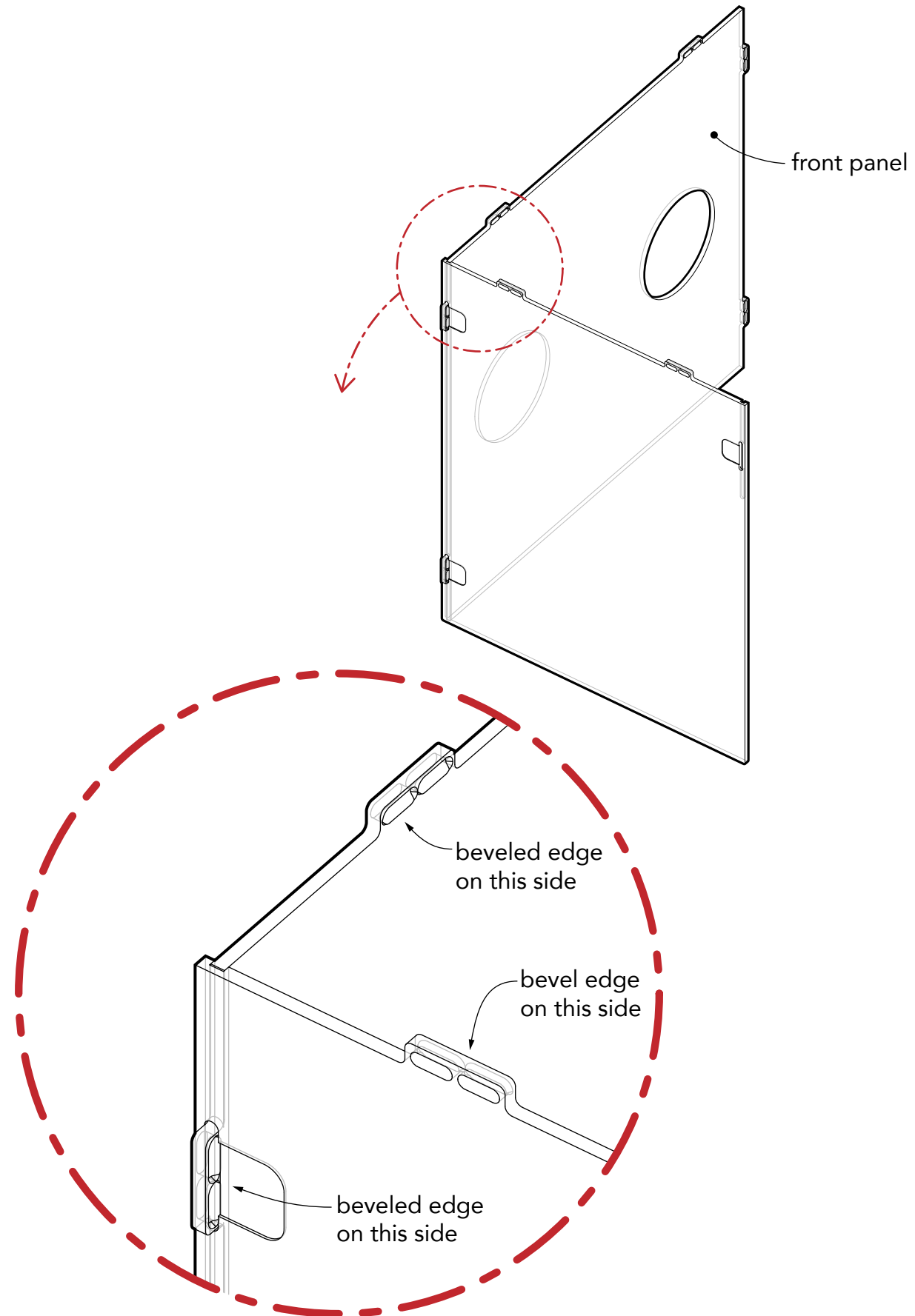


Begin by removing all of the adhered protective paper from the acrylic. Note that the front, rear, left, and right panels all have tabs, and each tab has two holes. These holes have bevels on one side:

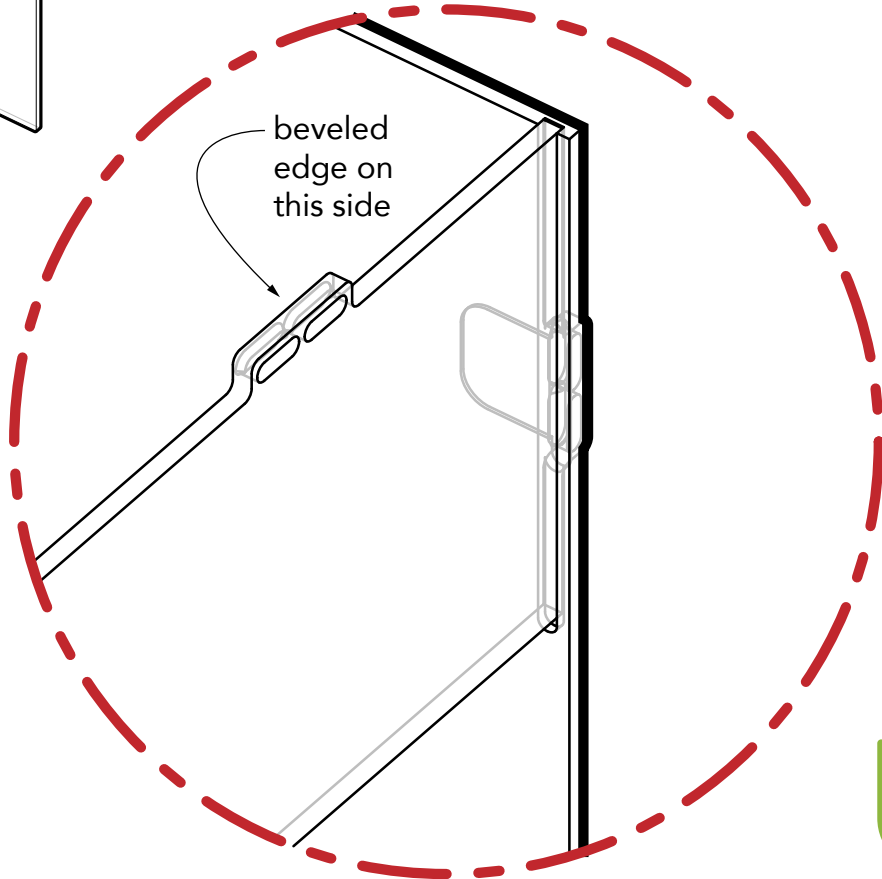
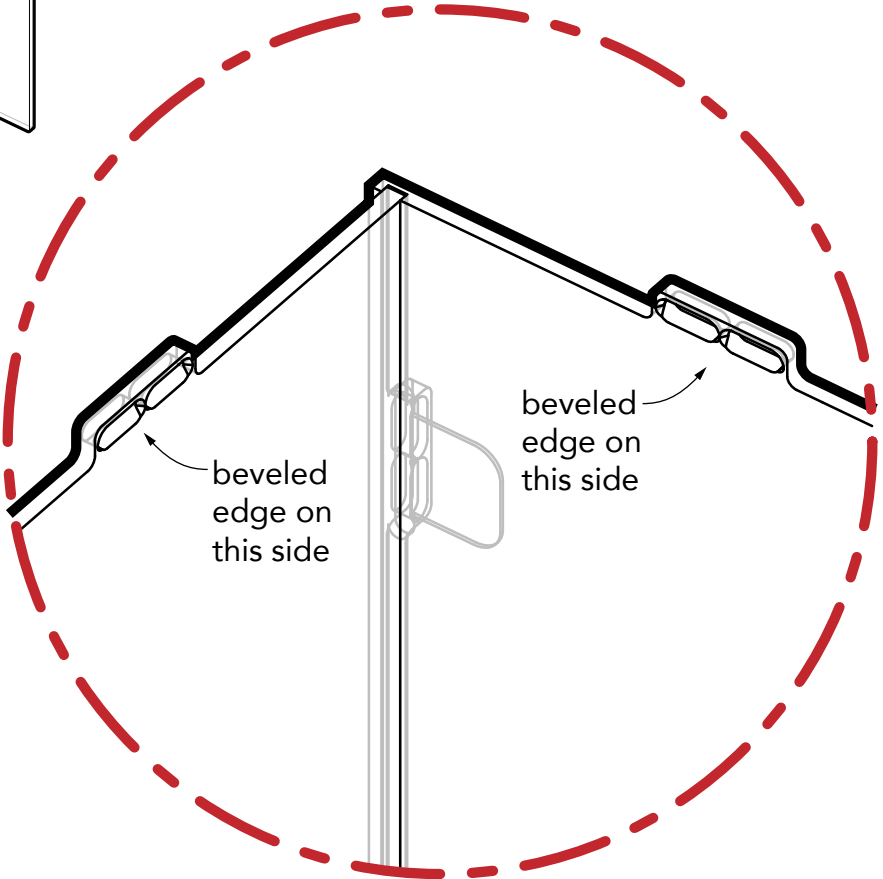
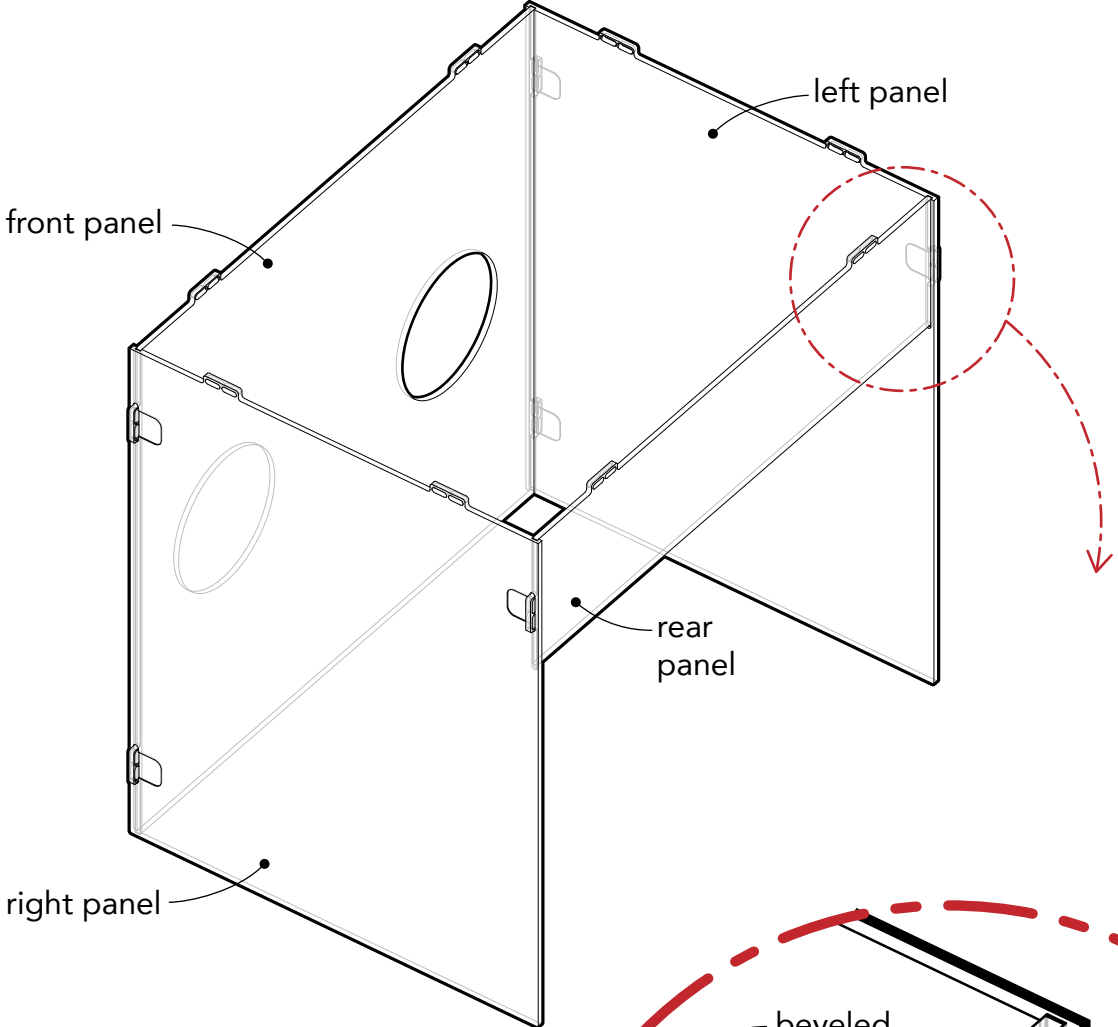
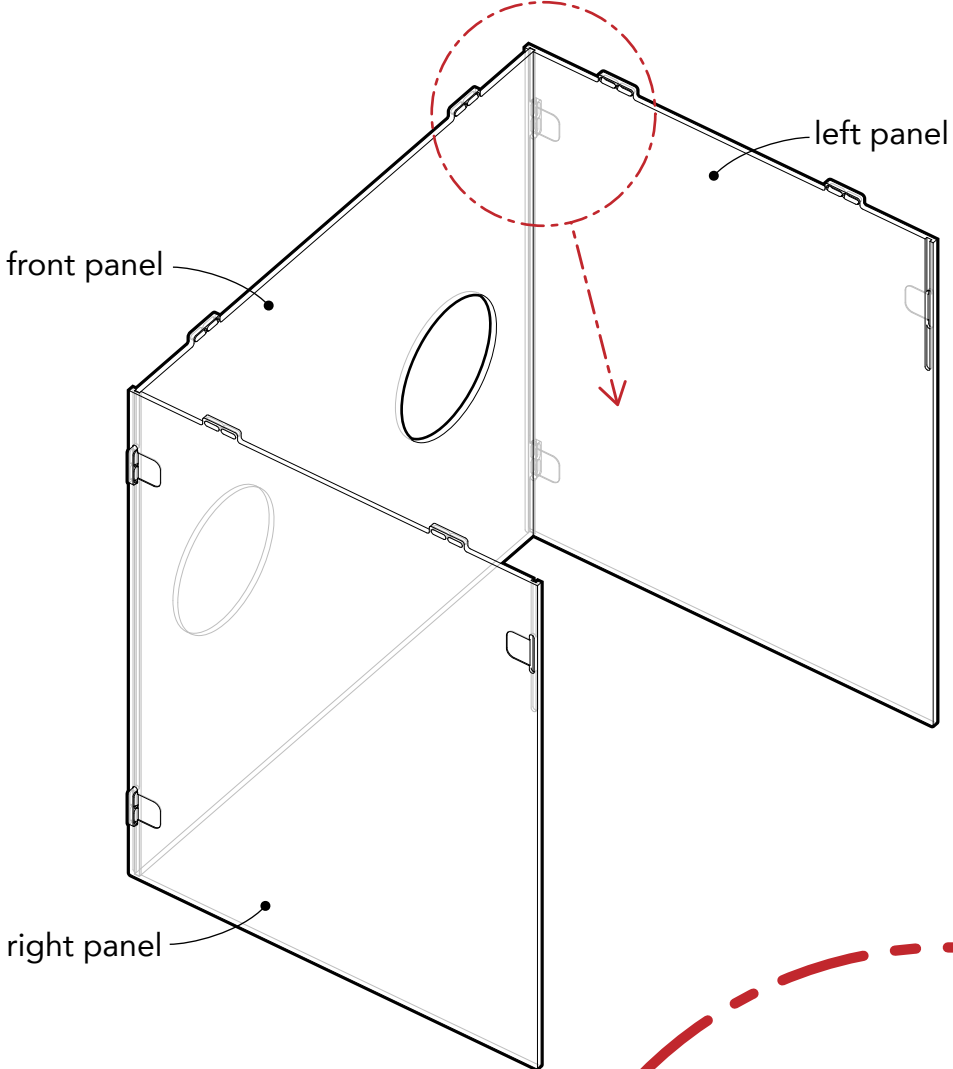


Identify the front panel and hold it upright on your work surface. Reference the enlarged drawing on the right to ensure that your pieces are facing the right direction, and then insert the tabs on the front panel into the holes on the right panel. A slot is provided to ensure a tight fit along the full length of the connection.

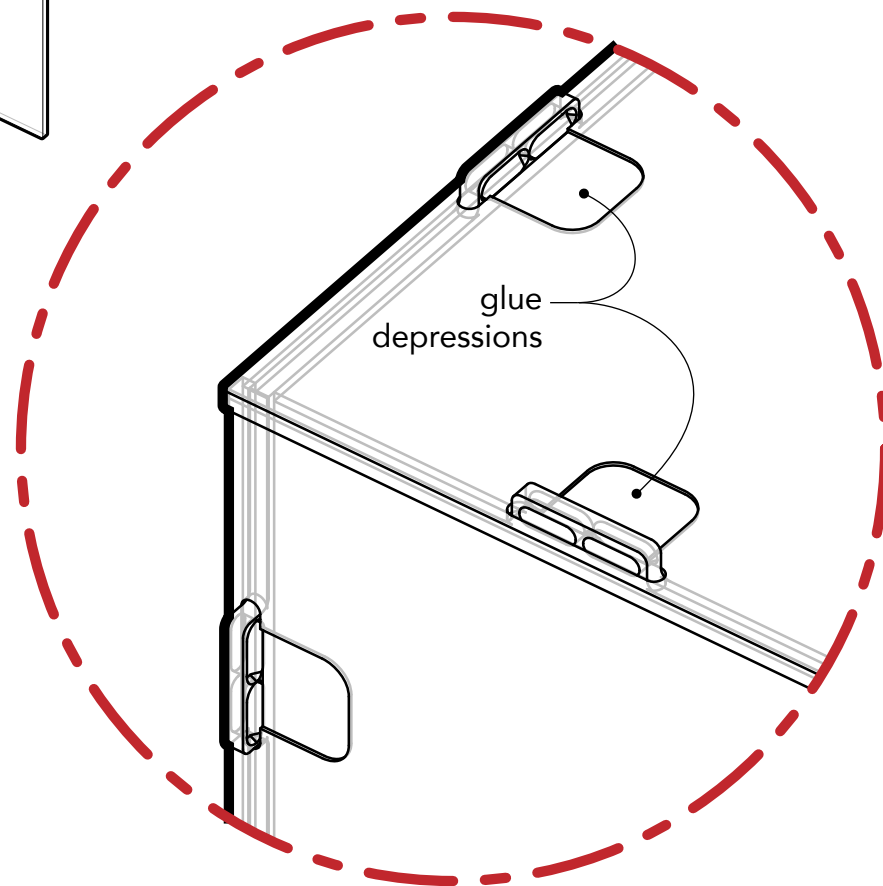
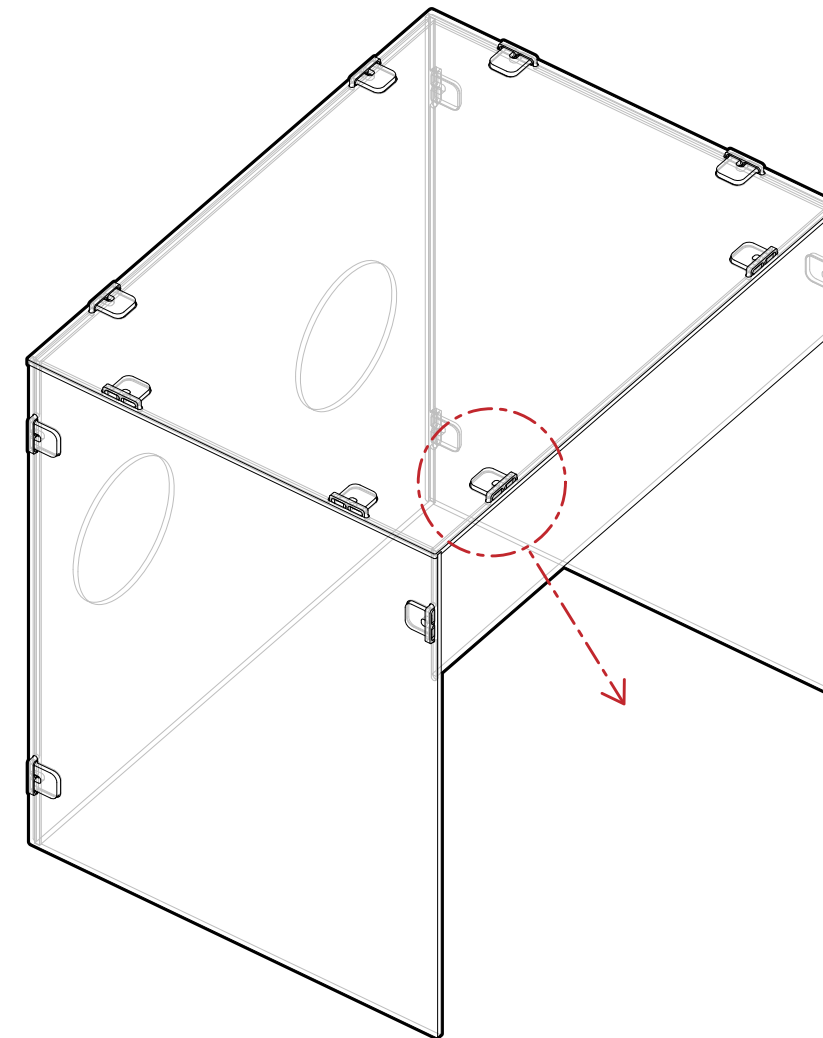
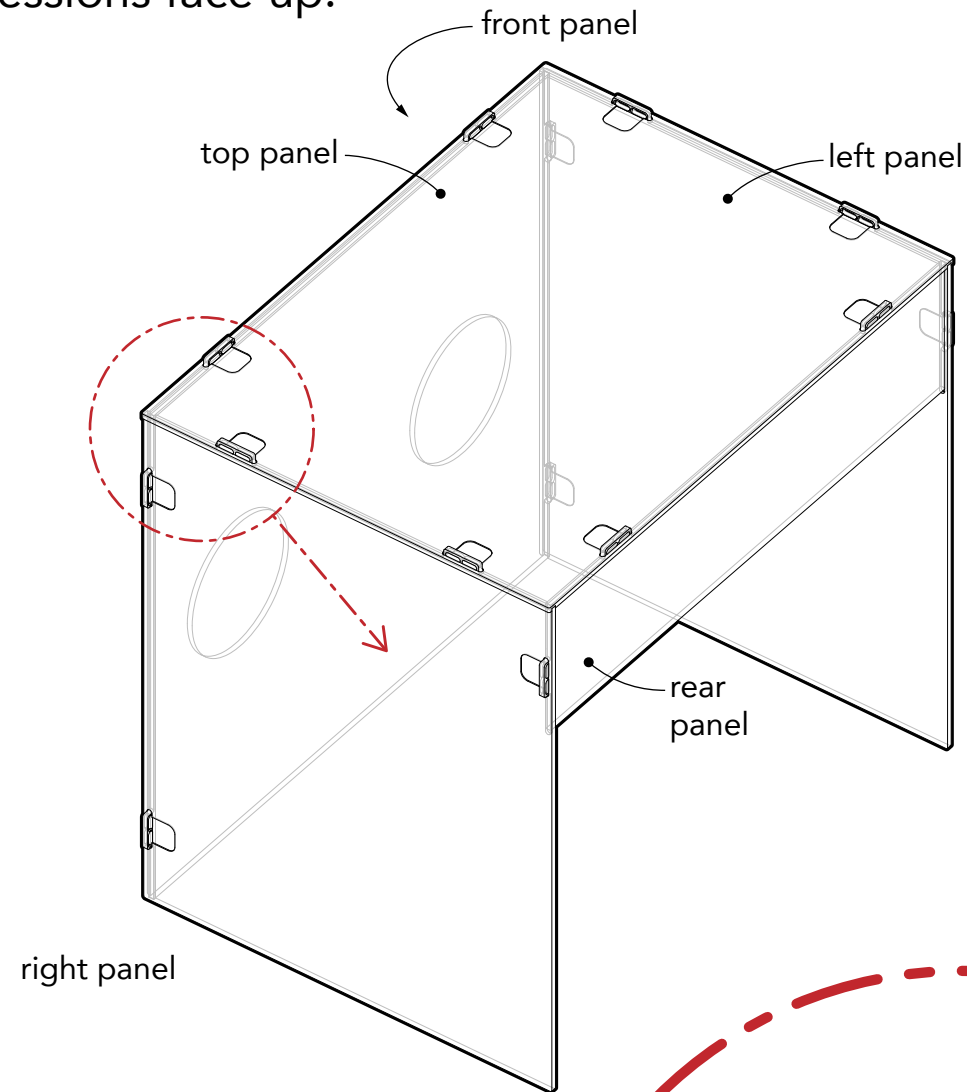
Needed materials:
super glue, recommended 5-15 second medium flowing.



Attach the left panel,
and then the rear panel.



Attach the top panel. Make sure the glue depressions face up.



Working one at a time, place a dime sized amount of super glue into the glue depression and a small dab on the ends of the U-shaped pins. Insert the pin into the depression and apply pressure for 15 seconds. Once set, move on to the next U-shaped pin.

